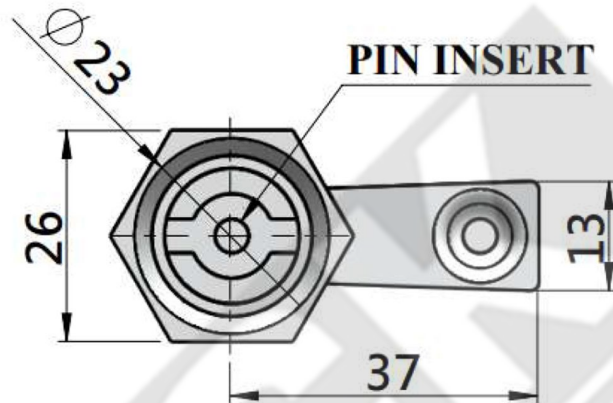
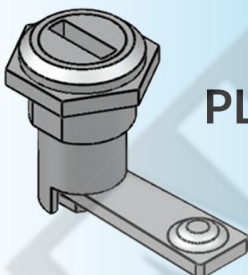


For Product Step File or 3D Model Send a Request Mail To [info@nrack.com](mailto:info@nrack.com)

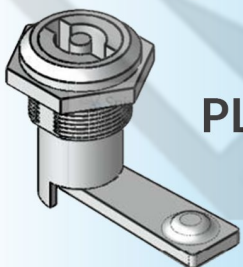
Photo View



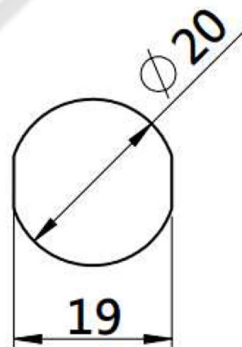
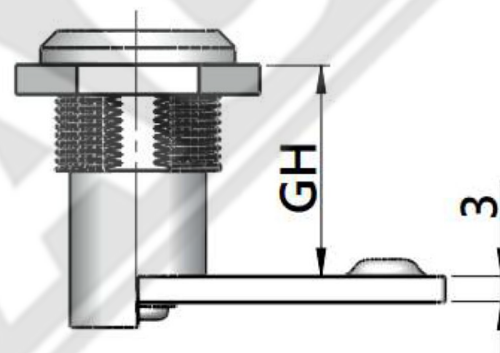
3D Rendered View



PL - 07



PL - 08



CUT OUT

GRIPPING  
HEIGHT  
(GH)

20

25

30

- Material: Zinc Die Casting - Body,
- Finish: Chrome Plating